



Phone: 902-469-2798
E-Mail: nsbg@chebucto.ns.ca
www.nsbg.chebucto.org
or on Facebook at
Nova Scotia Basketry Guild



The mandate of the Nova Scotia Basketry Guild is:

- to share information about basketry,
- to promote an awareness of basketry to the community-at-large,
- to promote the preservation of traditional Nova Scotia basketry techniques,
- to promote the development of contemporary basketry techniques.



Phone: 902-469-2798
E-Mail: nsbg@chebucto.ns.ca
www.nsbg.chebucto.org
or on Facebook at
Nova Scotia Basketry Guild



The mandate of the Nova Scotia Basketry Guild is:

- to share information about basketry,
- to promote an awareness of basketry to the community-at-large,
- to promote the preservation of traditional Nova Scotia basketry techniques,
- to promote the development of contemporary basketry techniques.



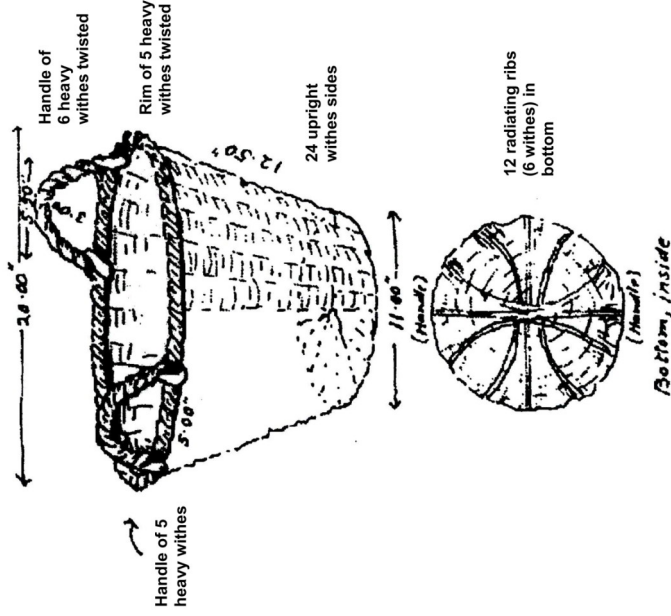
Phone: 902-469-2798
E-Mail: nsbg@chebucto.ns.ca
www.nsbg.chebucto.org
or on Facebook at
Nova Scotia Basketry Guild



The mandate of the Nova Scotia Basketry Guild is:

- to share information about basketry,
- to promote an awareness of basketry to the community-at-large,
- to promote the preservation of traditional Nova Scotia basketry techniques,
- to promote the development of contemporary basketry techniques.

A Nova Scotia Basket



Drawing of a withe basket by Harry Piers, 1934.
Courtesy of the Nova Scotia Museum.

Published in:

Withe Baskets, Traps and Brooms Traditional Crafts in Nova Scotia
By Joleen Gordon
NSM, 1984

The NOVA SCOTIA BASKETRY GUILD (NSBG) was formed in 1988 in response to a growing interest in the craft of basketry in the province. We hold workshops September to May usually on the third Saturday of the month, with occasional weekend workshops in summer with invited instructors.

For more Basketry Resources check our Web Site:

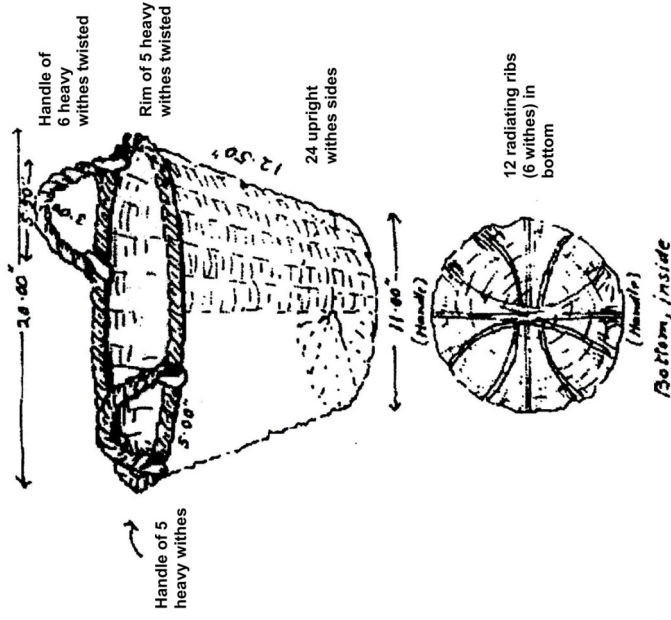
www.nsbg.chebucto.org

If you are interested in joining us please contact us:
By phone - 902-469-2798

or

By e-mail - nsbg@chebucto.ns.ca

A Nova Scotia Basket



Drawing of a withe basket by Harry Piers, 1934.
Courtesy of the Nova Scotia Museum.

Published in:

Withe Baskets, Traps and Brooms Traditional Crafts in Nova Scotia
By Joleen Gordon
NSM, 1984

The NOVA SCOTIA BASKETRY GUILD (NSBG) was formed in 1988 in response to a growing interest in the craft of basketry in the province. We hold workshops September to May usually on the third Saturday of the month, with occasional weekend workshops in summer with invited instructors.

For more Basketry Resources check our Web Site:

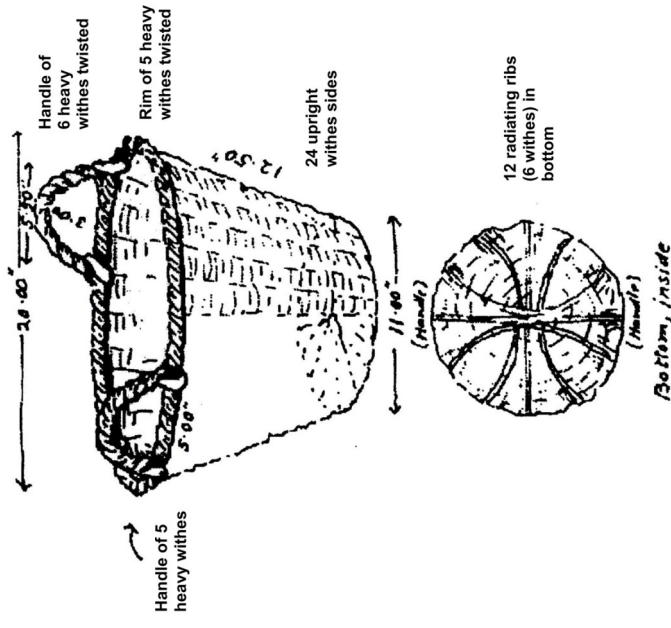
www.nsbg.chebucto.org

If you are interested in joining us please contact us:
By phone - 902-469-2798

or

By e-mail - nsbg@chebucto.ns.ca

A Nova Scotia Basket



Drawing of a withe basket by Harry Piers, 1934.
Courtesy of the Nova Scotia Museum.

Published in:

Withe Baskets, Traps and Brooms Traditional Crafts in Nova Scotia
By Joleen Gordon
NSM, 1984

The NOVA SCOTIA BASKETRY GUILD (NSBG) was formed in 1988 in response to a growing interest in the craft of basketry in the province. We hold workshops September to May usually on the third Saturday of the month, with occasional weekend workshops in summer with invited instructors.

For more Basketry Resources check our Web Site:

www.nsbg.chebucto.org

If you are interested in joining us please contact us:
By phone - 902-469-2798

or

By e-mail - nsbg@chebucto.ns.ca